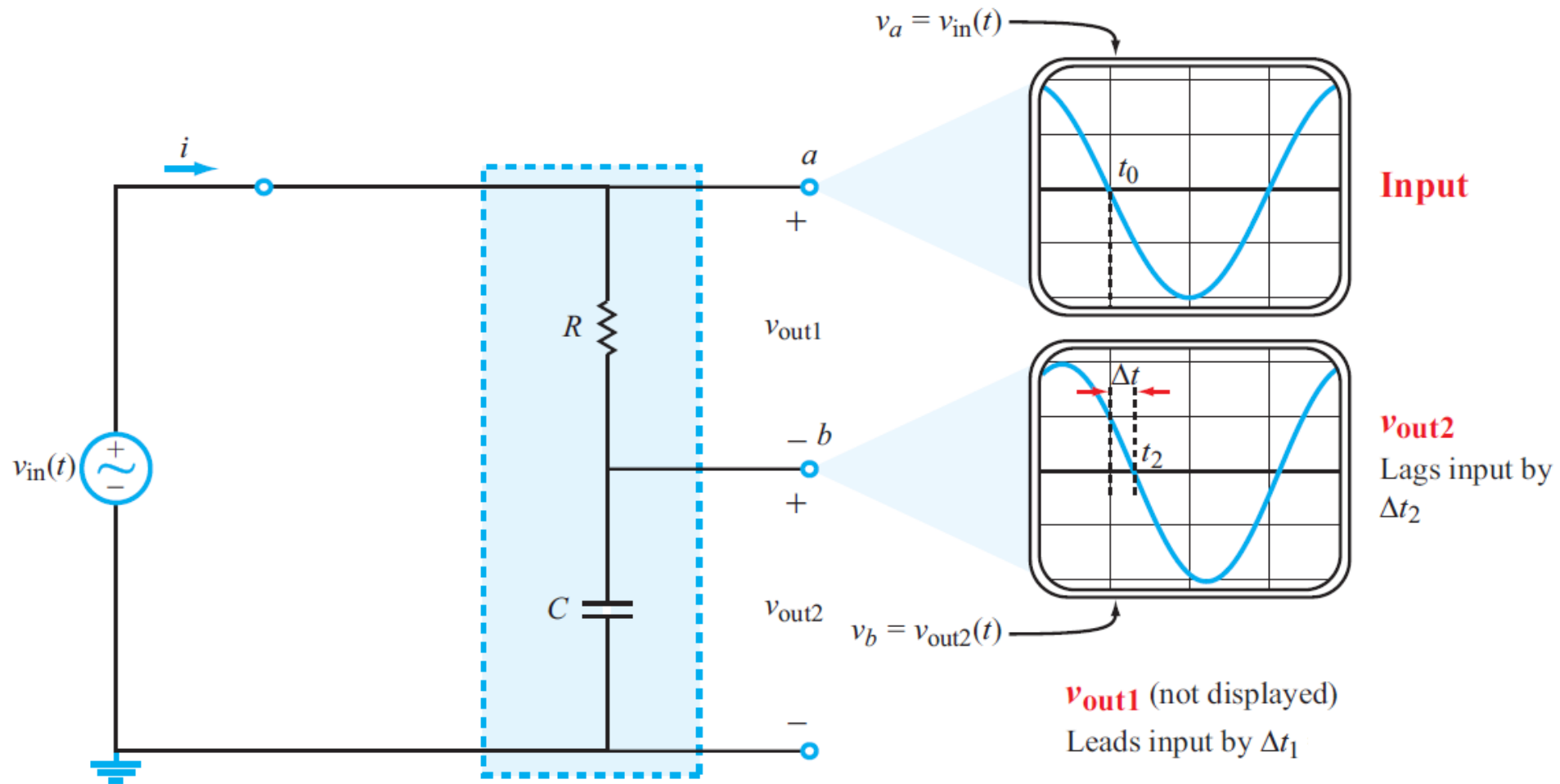

AC Circuit Examples

Michel M. Maharbiz

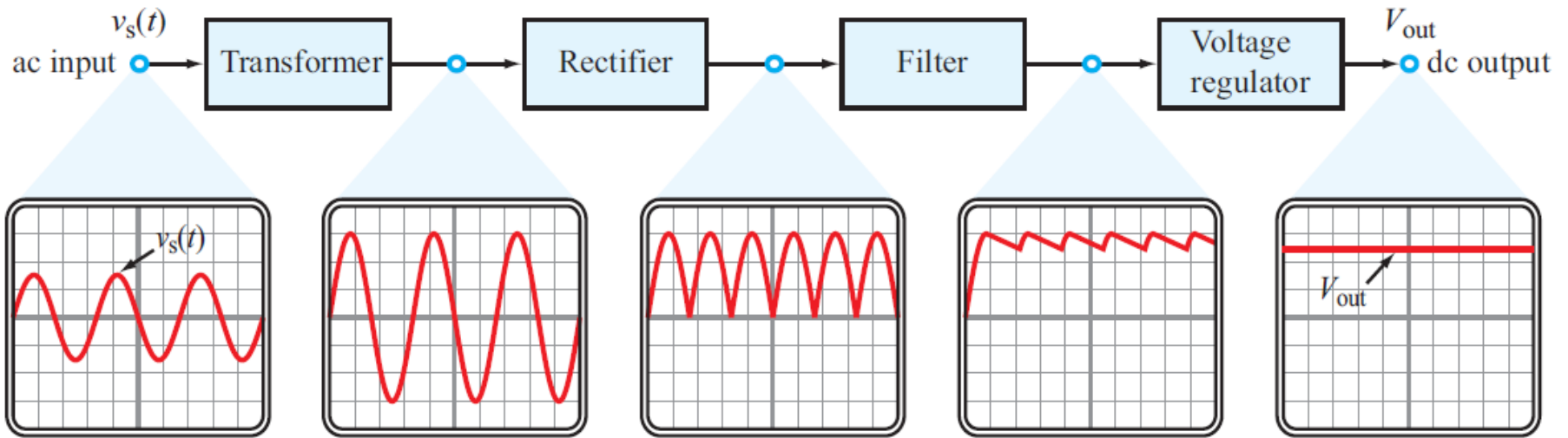
Vivek Subramanian

Phase Shift Circuits

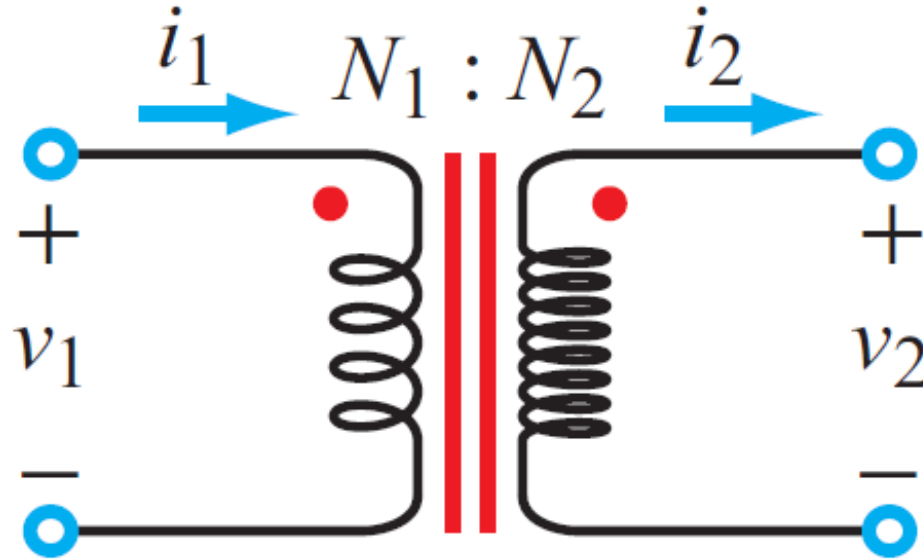


(a) Time-domain waveforms

Power Supply Circuit



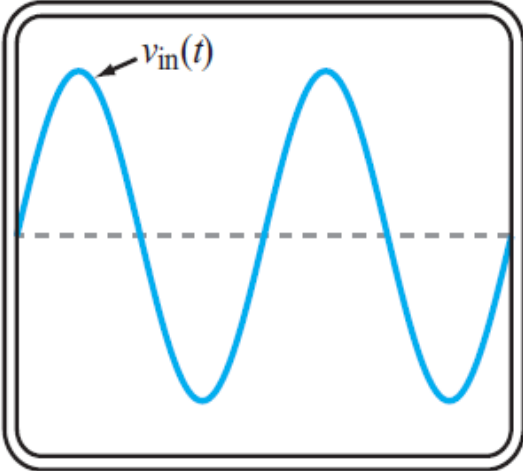
Ideal Transformer



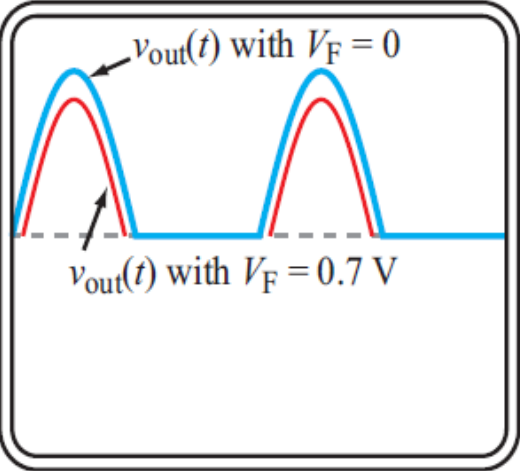
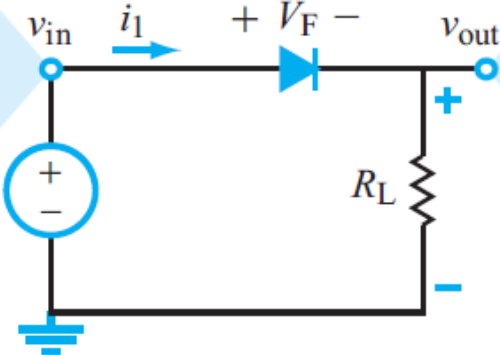
$$\frac{v_2}{v_1} = \frac{N_2}{N_1}$$

$$\frac{i_2}{i_1} = \frac{N_1}{N_2}$$

Half-Wave Rectifier



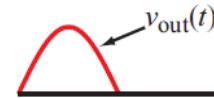
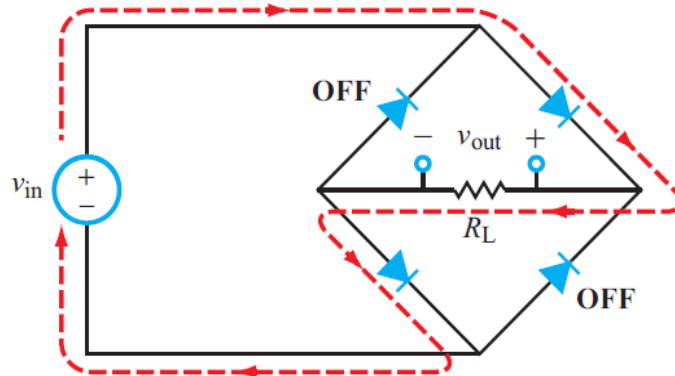
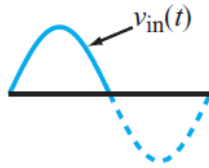
$v_{in}(t)$



$v_{out}(t)$

Full-Wave Rectifier

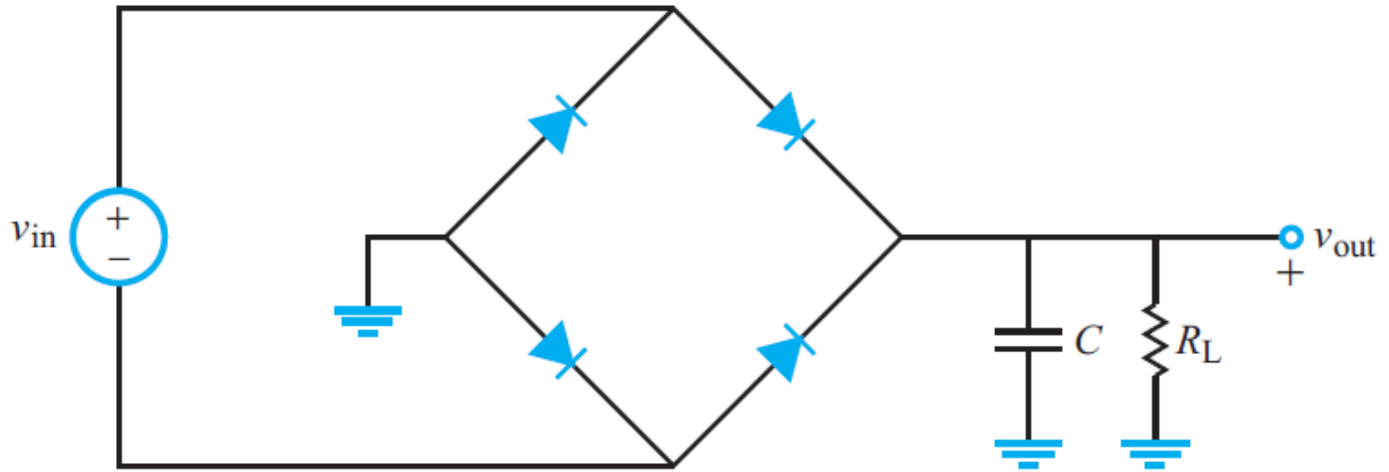
Current flow during first half of cycle



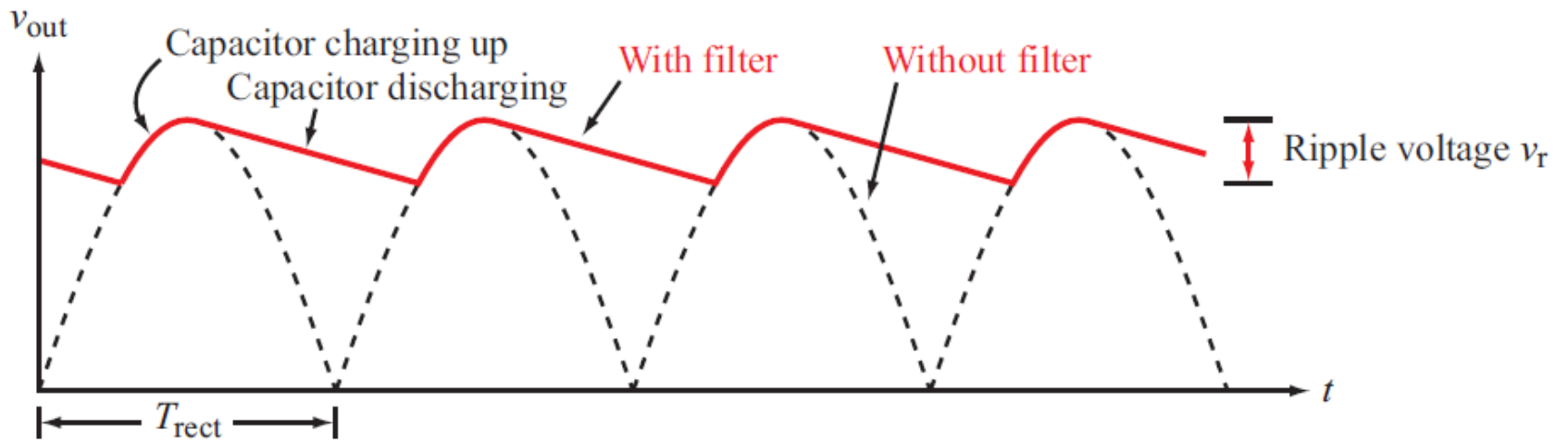
(a) Positive half cycle

Current flow during second half of cycle

Smoothing RC Filter



(a) Bridge rectifier with filter



(b) Filtered output

Complete Power Supply

